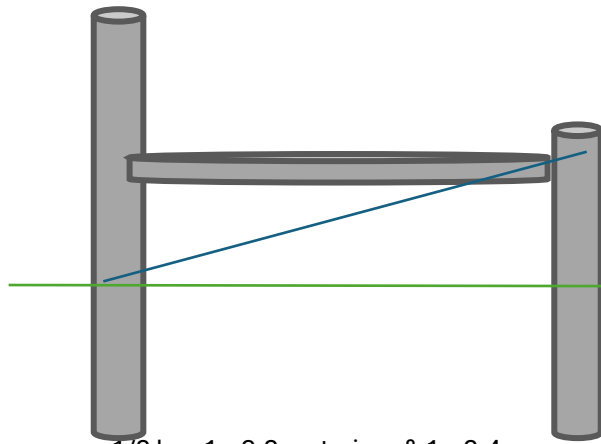
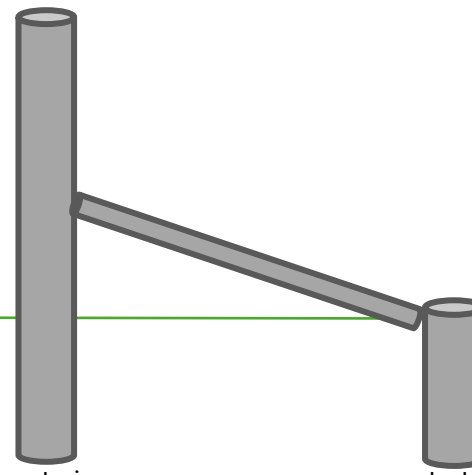


full height box 2 x 3.2m strainers



1/2 box 1 x 3.2m strainer & 1 x 2.4m



strainer

strut